



MSZ-FD25VA

Inverter Heat Pump

R410A Wall Mounted System

The MSZ-FD Series is our most efficient M Series wall mounted unit to date. These high COP models feature the new Plasma Duo filter system. These models also offer industry leading noise levels and has a distinctively styled front panel that not only looks appealing but also helps make the cleaning of the unit easier.

Also incorporated is an I-See Sensor, providing even temperature distribution and further reducing energy consumption.



Pictures not to scale

Product Details

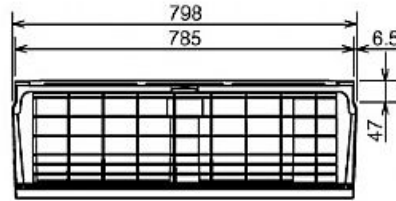
MSZ-FD25VA Indoor Unit	
Capacity (kW):	
Heating (Nominal) (Low - High)	3.20 (1.50 - 6.30)
Cooling (Nominal) (Low - High)	2.50 (1.10 - 3.50)
Heating (UK) (Low - High)	2.65 (1.25 - 5.25)
Cooling (UK) (Low - High)	2.50 (1.10 - 3.45)
SHF R410A (Nominal)	0.85
COP / EER (Nominal)	5.33 / 5.15
Energy Label Heating / Cooling	A / A
Width - mm	798
Depth - mm	257
Height - mm	295
Weight - kg	12
Airflow (m ³ /min) (Heating /Cooling) - Lo-Mi1-Mi2-Hi	4.5-6.7-9.2-12.1 / 4.6-6.3-8.6-11.2
Noise (dBA) (Heating /Cooling) - Lo-Mi1-Mi2-Hi	20-29-36-43 / 20-29-36-42
Pipe Size Gas mm (in)	9.52 (3/8)
Pipe Size Liquid mm (in)	6.35 (1/4)
Electrical Supply	Fed by Outdoor Unit
Phase	Single
Fuse Rating (BS88) - HRC (A)	6
Interconnecting Cable No. Cores	4

MUZ-FD25VABH Outdoor Unit	
Width - mm	800
Depth - mm	285
Height - mm	550
Weight - kg	36
Noise (dBA) (Heating /Cooling)	46 / 46
Electrical Supply	220-240v, 50Hz
Phase	Single
Fuse Rating (BS88) - HRC (A)	10
SystemPower Input (kW) - Heating (Nominal)	0.6
SystemPower Input (kW) - Cooling (Nominal)	0.485
SystemPower Input (kW) - Heating (UK)	0.546
SystemPower Input (kW) - Cooling (UK)	0.388
SystemRunning Current (A) - Heating / Cooling	2.9 / 2.4
Mains Cable No. Cores	3
Max Pipe Length (m)	20
Max Height Difference (m)	12
Charge (kg) - 7m	1.15

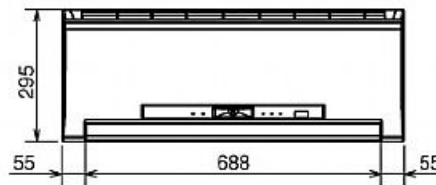
Dimensions

MSZ-FD25VA

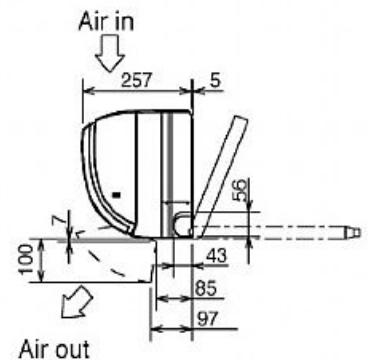
Upper View >



Front View >

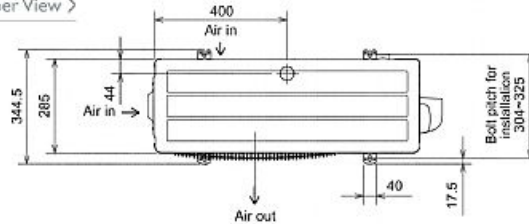


Side View >

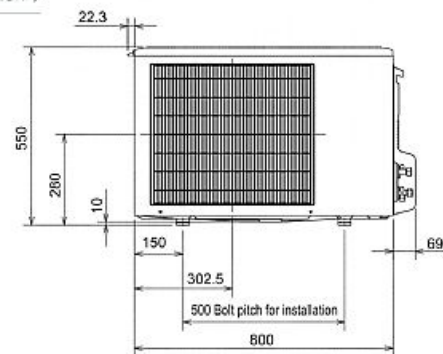


MUZ-FD25VABH

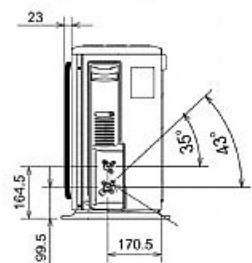
Upper View >



Front View >



Side View >



Telephone: 01707 282880

Email: air.conditioning@meuk.mee.com Website: <http://www.mitsubishielectric.co.uk/aircon>

KOOL IT SERVICES LTD
85-87 WELLINGTON ROAD
ECCLES, MANCHESTER
M30 9GW
Tel: 0161 707 2580
Fax: 0161 288 0135



Mitsubishi Electric reserves the right to make any variation in technical specification to the equipment described, or to withdraw or replace products without prior notification or public announcement.